



# AVSA05/R

## Addressable high powered sounder for indoor use

- EN54-3 and EN54-17 certified

**AVSA05 is an addressable sounder device** build to be connected to a fire detection system (FDS).  
 It is **allocated and identified by an address**; AVSA05 is designed to be directly operational from a loop or line of a panel **managing the 05 range protocol**, it can be monitored and activated individually.  
**Its round shape allows to be used on walls and ceilings.**  
**Every device has an integrated loop isolator.**  
 The round shape allows a good sobriety of installation on any surfaces.  
 AVSA05 works with a piezoelectric cell that warrants a low loop or line consumption current. Its side hearings ensure an excellent sound broadcasting.  
 The addressable sounder AVSA is certified with the standards EN 54-3 and EN 54-17.



### Main characteristics

- Addressable independent device
- Loop powered
- 90 dB (+/- 3 dB) at 1 meter
- 6 tones selectable
- Integrated loop isolator
- Red color
- Lateral hearings
- Volume control

<b>Power supply specification</b>	
Main supply voltage	15Vdc to 26Vdc
Standby consumption	600 µA
Alarm consumption	0.6mA to 11mA (depending on tones)
Cable connection	Max 2,5mm <sup>2</sup>
<b>Mechanical characteristics</b>	
Unit weight	200 g
Unit dimensions (in mm)	Diam. 109mm Height 84mm
Unit colour	White or red
Protection class	IP21C
Material	ABS V0
<b>Climatic characteristics</b>	
Operating temperature	0°C to +50°C
Operating relative humidity	90%
Storage temperature	-10°C to +50°C
Storage relative humidity	85%

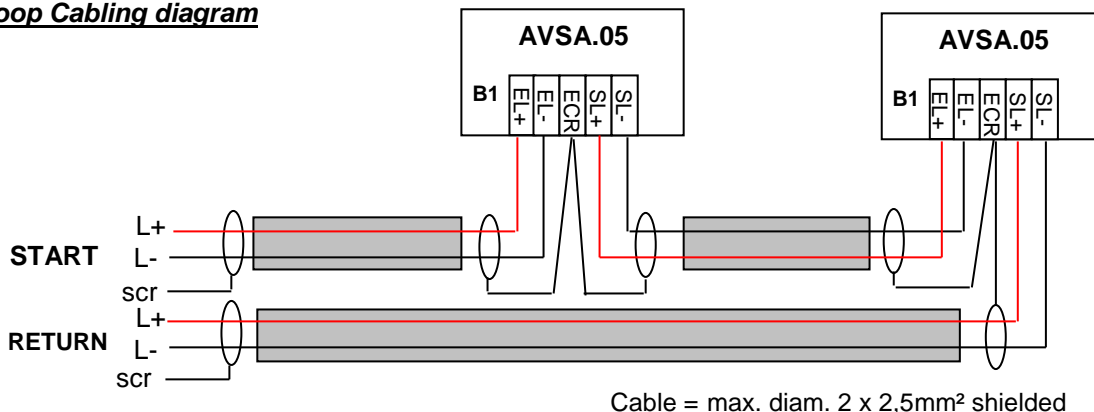




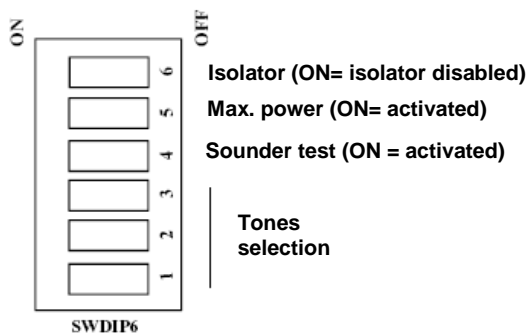
# AVSA05/R

## Addressable high powered sounder for indoor use

### Loop Cabling diagram



### Switches and tones selection



### Adjustment P1 Sounder strength setting



Table for tones selection

Sound type and number	Switch position 1/2/3	Supply voltage 15Vcc to 26 Vcc					
		Potentiometer at minimum value			Potentiometer at maximum value		
		Amp.	Watt	dB	Amp.	Watt	dB
N°1, Alternating tones 800/970Hz at 2Hz	off/off/off	2 to 4mA	0.03 to 0.1W	80dB +/-3dB	4 to 7mA	0.06 to 0.2 W	96 dB +/-3dB
N°2, Sweeping 800/970Hz at 7Hz	on/off/off	2 to 4mA	0.03 to 0.1W	79dB +/-3dB	6 to 10 mA	0.09 to 0.26 W	96 dB +/-3dB
N°3, Sweep 1200/500Hz at 1Hz	off/on/off	2 to 4mA	0.03 to 0.1W	80dB +/-3dB	5 to 9 mA	0.075 to 0.24 W	98 dB +/-3dB
N°4, Continuous at 970Hz	on/on/off	2 to 4mA	0.03 to 0.1W	81dB +/-3dB	3 to 5 mA	0.045 to 0.13 W	94 dB +/-3dB
N°5, Intermittent 660Hz for 6.5s on / 13s off	off/off/on	2 to 4mA	0.015 to 0.05 W	78dB +/-3dB	3 to 4 mA	0.045 to 0.1 W	97 dB +/-3dB
N°6, Continuous at 4KHz	on/off/on	2 to 4mA	0.06 to 0.2W	83db +/-3dB	6 to 11 mA	0.09 to 0.3 W	91 dB +/-3dB

### REFERENCE

### DESCRIPTION

AVSA05/R

Addressable high powered piezoelectric sounder for indoor use, red colour

