

## Vigilon A3 Mimic

The A3 Mimic provides a pictorial representation of a building's layout. This gives a rapid, visual indication of the location of any fire incident.

It can also be used to provide indication of fault and supervisory events in the system.

This one panel can be used as a Zonal Mimic or can hold a pictorial overlay to provide a customised view.

The A3 Customised Mimic panel can be mounted in either landscape or portrait, while an A3 Zonal Mimic panel must only be mounted landscape when using the overlay supplied.

### Product range

- The panel illumination defaults to a Zonal Mimic but can be programmed during commissioning to be a Customised Mimic
- The panel has its own mains derived power supply with battery (Repeat Panels and Mimics require external power supply)
- The panel is supplied with pre-printed and blank high quality UV protected A3 sheets

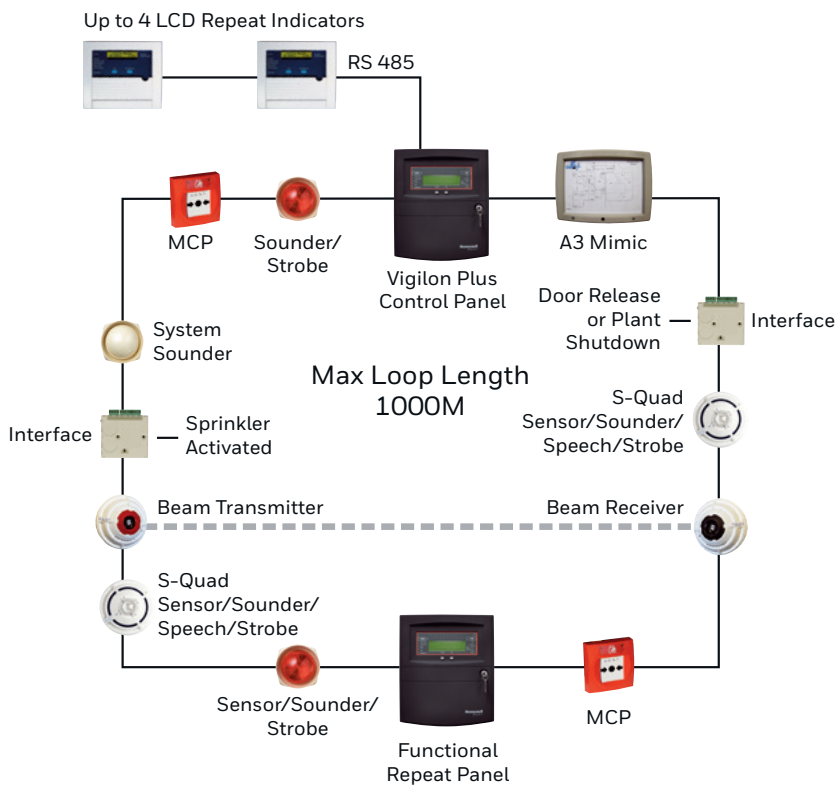


### Description

The A3 Mimic panel provides a pictorial representation of a building's layout. This gives a rapid, visual indication of the location of any fire incident.

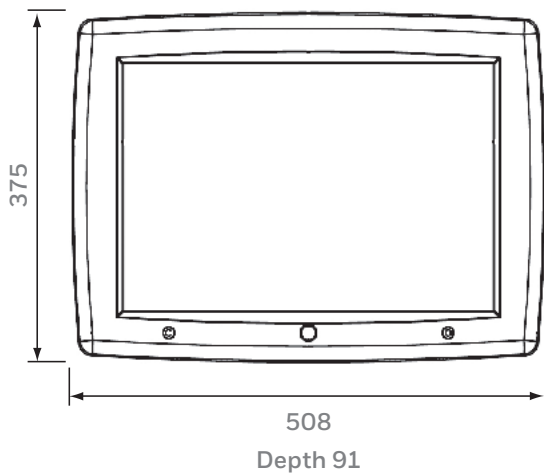
## KEY FEATURES

- Displays up to 128 zones in zonal format
- Site programmable format allows 1536 LED's to be individually programmed
- Site programme held in flash memory so site changes can be programmed on site without changing LEDs or electronics
- The A3 Customised Mimic panel can be mounted in either landscape or portrait, while an A3 Zonal Mimic panel must only be mounted landscape when using the overlay supplied



# Vigilon A3 Mimic Technical Specifications

## Dimensions (mm)



| STANDARD PERFORMANCE VISUAL ALARMS |   |
|------------------------------------|---|
| TYPE                               | A3 Mimic  |
| MAX QUANTITY PER LOOP              | 4   |
| BATTERIES                          | 2 x 6V @ 7Ah  |
| BATTERY STANDBY                    | 24 hours + 30 minutes alarm upgradeable to 72 hours |
| APPROX WEIGHT                      | 7.9 Kg without batteries 10.5 Kg with batteries     |
| OPERATING TEMPERATURE              | 0°C to +45°C  |
| CABLE ENTRY                        | Rear  |
| LOAD FACTOR                        | 3   |
| RELEVANT STANDARD                  | EN54 Parts 2 & 4                                    |
| INDICATORS                         | 1536 Number – High Intensity Red LEDs               |
| APPROVALS                          | Applied for   |

| ORDER CODES   |                  |
|---|------------------|
| MIMICS AND REPEAT PANELS (EN54)                               |                  |
| VIGILON REPEAT PANEL 72 HOUR (NEW) BS & EN COMPATIBLE         | VIG-RPT-72       |
| NON-FUNCTIONAL LCD REPEAT DISPLAY (RS485 CONNECTION TO PANEL) | COMPACT-RPT      |
| A3 ZONAL AND GRAPHIC MIMIC                                    | VIG-MIM-A3       |
| REPEAT PANEL AND MIMIC ACCESSORIES                            |                  |
| VIGILON REPEAT PANEL BATTERY PACK                             | VSRPT-BATT       |
| BATTERY PACK FOR A3 MIMIC (2 X 6V 7 AH)                       | VSRPT-BATT-A3    |
| REPEAT PANEL FLUSH SURROUND                                   | VIG-RPT-FLUSH    |
| STAINLESS STEEL DOOR FOR VIGILON REPEAT                       | VIG-RPT-DOOR-SS  |
| STAINLESS STEEL REPEAT PANEL FLUSH MOUNTING KIT               | VIG-RPT-FLUSH-SS |
| LED DRIVER BOARD FOR SPECIAL MIMICS                           | S4-34600         |

## For more information

[www.gent.co.uk](http://www.gent.co.uk)

## Honeywell Gent

140 Waterside Road  
Hamilton Industrial Park,  
Leicester, LE5 1TN  
Telephone: 0203 409 1779  
E-mail: [gentenquiry@honeywell.com](mailto:gentenquiry@honeywell.com)

Content subject to change  
without notice.

GEN148 | 11/2018  
© 2018 Honeywell International Inc.

**Honeywell**  
GENT