



HEPHAIS 128

Interactive fire control panel

- *Maximum 128 addresses*
- *EN54-2, EN54-4*
- *CE Certified according to CPD*

HEPHAIS 128 is an interactive fire detection panel. Complying with **EN54-2 and EN54-4 standards**, **HEPHAIS 128** is reliable and easy to use equipment. Associated to **interactive 05 detectors range**, **HEPHAIS 128** constitutes the ideal fire alarm compact system. Providing as well **4 open lines or 2 loop lines**, it is adapted to all types of required topologies and can manage up to **128 devices (detectors, manual call points, modules)**. Adapted to a large scale of application, **HEPHAIS 128** can answer to requirements of buildings like hotels, retiring houses, schools, but also small industries and manufactures, storage houses, office buildings, back office centres, etc, thanks to its various and numerous outputs allowing many signalling and command orders.

Field configuration, self learning or manual setting constitute very useful start up modes which make **HEPHAIS 128** installation a quick and sure operation. The software **TELEHEPHAIS128** (upload/download data) permits to configure advanced functionalities and manages all the capacities of the panel up to **99 zones and 99 groups of command**.



Main characteristics

- 2 loops (128 addr./loop) or 4 open circuits (32 det./line)
- 99 zones, 99 groups of command
- 1000 memory events
- Pre-alarm mode, day/night mode
- Manual/automatic activation of sounders line
- 2 programmable inputs + 5 programmable relay outputs
- Very easy to program and install
- Self-learning of detectors on the loop
- Programmable by keyboard or software downloading/uploading
- 4 lines, 40 characters LCD display

Electrical specification	
Mains supply voltage	230Vac (-15%, +10%), 50Hz (±10%)
Operating voltage	24Vdc
Wiring	2 x 1mm ² min, shielded / Length = 2000m max
Batteries	2 sealed lead-acid batteries connected in series 12V / 7Ah
Autonomy without mains	24 hours in standby mode and 30 minutes in alarm
Autonomy for data storage out of voltage	> 7 days
Data storage	Non volatile memory (Eeprom)
Maximum current supplied	1,2A
Mechanical characteristics	
Dimensions (mm) / weight (without batteries)	H x W x D = 300 x 370 x 120 / 3 Kg
Material/colour	ABS 5V/RAL 7016
IP rating	31
Climatic characteristics	
Operating temperature/storage temperature	-10°C to 50°C/+10°C to 50°C
Operating relative humidity/storage relative humidity	≤ 93% R.H./ ≤ 80% R.H.
Inputs/outputs	
Number of points/zones	128/99
Fire detection lines	2 loops or 4 open lines
Fire alarm management	Alarm, pre alarm, alarm confirmation, hours management day / night mode
Memory events	Up to 1000 events with date and hours
Fire alarm output	1 alarm NC/NO free contact relay
General fault output	1 fault NC/NO free contact relay (active in standby state)
Programmable outputs	Optionally 7 (R7P2) or 12 (R12P2) programmable free potential or resistive relays boards (alarm, pre alarm, fault, panel signalizations/events)
Programmable inputs	2 x inputs for external event management commanded by NO or NC contact (activation/deactivation sounders line, reset, fault, power supply fault, technical input)
Serial communication ports	2 RS232 communication ports for external printer/remote control panel and for programming of the panel from the PC
Monitored sounders line	1 x 24V/1A (shared with 24Vdc output)
External power supply output	1 x 24V/400mA (shared with sounders line)



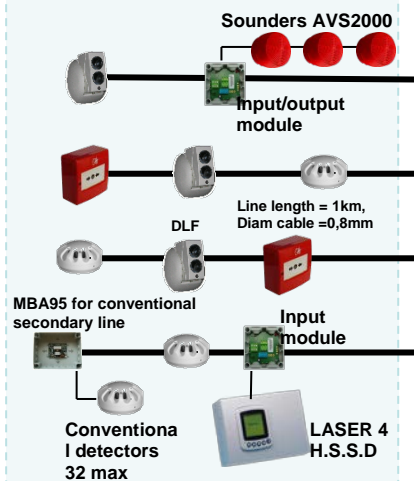


HEPHAIS 128

Interactive fire control panel



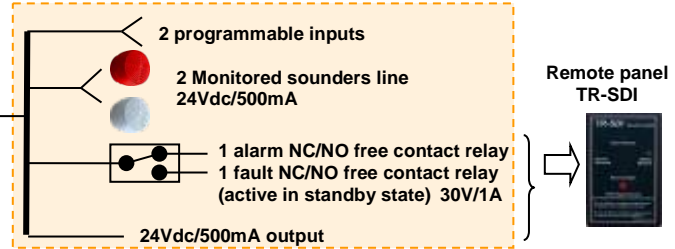
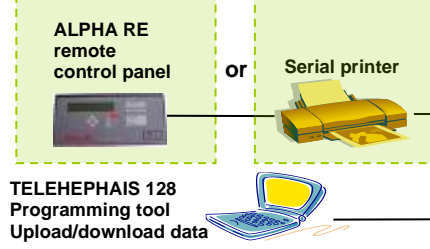
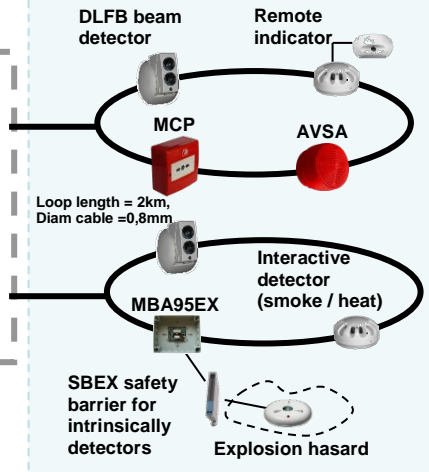
1st POSSIBILITY: 4 OPEN LINES
(128 ADDRESSES MAX IN TOTAL & 32 ADDRESSES MAX PER OPEN LINE)



7 relays board R7P2
or 12 programmable
relays board R12P2
30V/1A



2nd POSSIBILITY: 2 LOOPS
(128 ADDRESSES MAX IN TOTAL & 128 ADDRESSES MAX PER LOOP)



REFERENCE
HEPHAIS 128
TELEHEPHAIS 128

DESCRIPTION
Interactive fire control panel 128 points max
Software programming tool

OPTIONS & ACCESSORIES

ALPHA RE
R7P2
R12P2
AJ127
ALP24-KIT19
X4EVAC

Remote user interface with serial connection alphanumeric display 160 characters and keyboard
7 relays board
12 programmable relays board
Serial cable for software programming tool
Flushmounting metallic frame and backbox
4 Monitored ways sounder circuit extension board





HEPHAIS 1600 COMFORT NE

Interactive fire detection control panel with TFT color graphic display

- **Maximum 400 addresses on 2 loops**
- **Configuration possible in 4 lines**
- **TFT color graphic display**
- **EN54-2, EN54-4, EN54-13**
- **CE Certified according to CPD**

HEPHAIS 1600 COMFORT NE is a **MODULAR INTELLIGENT/INTERACTIVE FIRE CONTROL PANEL** able to manage a maximum of 400 addresses, on a maximum of 2 LOOPS.

The panel is supplied for 400 points on 2 master loops (max 200 addresses/loops) or 4 open circuits.

The reference is available in small box.

It is equipped with integrated **USER INTERFACE FRONT PANEL** (command and control) **TFT COLOR GRAPHIC DISPLAY 4.3** inches and keyboard.

HEPHAIS 1600 COMFORT NE is able to monitor up to 1000 zones and saving 2700 memory events. The panel is equipped with RS422 JBUS monitoring output for supervision.

On the front panel is available a **TCP/IP connection** for safe remote monitoring interface.

Also available **USB port** on the front panel to get the memory events history file, amongst other features.

HEPHAIS 1600 COMFORT NE is **EN54-2, EN54-4 and EN54-13** certified and **CE** according to **CPD**.

Adapted to a large scale of application, **HEPHAIS 1600 COMFORT NE** can answer to requirements of buildings like hotels, retiring houses, schools, but also small industries and manufactures, storage houses, office buildings, back office centres, thanks to its various and numerous outputs allowing many signalling and command orders.



Main characteristics

- 400 addressable devices max. on 2 loops
- 1000 zones, 400 groups of command
- Base: 2 loops (200 addr./ loop) or 4 open circuits
- Jbus protocol for remote monitoring software
- **TFT COLOR GRAPHIC DISPLAY**
- **USB port** on front panel for memory events files
- **TCP/IP connection** for remote management
- Addressable sounders management
- **Downloading and Uploading** software
- Interactive management with pictures and colors for events
- Algorithm scheduled manager



HEPHAIS 1600 COMFORT NE

Interactive fire detection control panel with TFT color graphic display

Electrical specification	
Mains supply voltage	230Vac (-15%,+10%), 50Hz or 60Hz
Operating voltage	26,4V to 29 Vdc
Wiring	2 x (0,5 to 1,5) mm ² twisted shielded / Length = 2000m max
Batteries	2 x 12V/7-24Ah
Autonomy without mains	1 hours in alarm (command)
Autonomy for data storage out of voltage	> 7 days
Data storage	Non volatile memory (Eeprom)
Maximum current supplied	5 A
Mechanical characteristics	
Dimensions (mm) / weight (without batteries) Small box	600 x 325 x 175 (H x W x D) / 8Kg (without batteries)
Material/colour	Metallic and ABS 5V/RAL 7035
Climatic characteristics	
Operating temperature / Storage temperature	-10°C to 50°C
Operating relative humidity / Storage relative humidity	≤ 93% R.H./ ≤ 80% R.H.
Inputs/outputs	
Base: Max number of points / Max number of zones	400 points/1000 zones
Base: Fire detection lines	2 loops or 4 open lines
Fire alarm management	Alarm, pre alarm, alarm confirmation, hours management day/night mode
Memory events	Up to 2700 events with date and hours
Programmable outputs (fire alarm, fault, test zone, disabled point...)	3 x free contact relay outputs 50V/0,3A
Programmable inputs (power. supply fault, reset, sounders activation...)	2 x monitored inputs for external event management (fault, reset...)
Serial communication ports	RS232 communication port programming with PC RS422 communication port for Jbus protocol for graphic monitoring On front panel RS232 for external printer 2 x RS485 communication port for remote front panel (redundant communication)
Sounders line	2 x monitored outputs 30V/1A (for the 2 lines)
External power supply output	1 x 24V/0,5A
Internal options	
C20R, 20 way programmable relays board	NO/NC contacts potential free or resistive 50V/0,3A
R7P2, 7 way programmable relays board	NO/NC contacts potential free or resistive 50V/0,3A
R12P2, 12 way programmable relays board	NO/NC contacts potential free or resistive 50V/0,3A
External options	
ALPHA RE remote control and indicating panel	Serial connection (from 1 to 20 panels)





HEPHAIS 1600 COMFORT NE

Interactive fire detection control panel with TFT color graphic display

THE NEW TFT COLOR GRAPHIC DISPLAY:

The comfort for the user is improved by the use of a display which supplies a **perfect definition of texts** and presence of pictures and **colors** connected to information such as **red** for alarm and **yellow** for faults. A new **touch keypad** increases the speed of activation and visualization.



Alarm visualization



Fault visualization



Details of a point



Main screen

The presence of pictures connected to information helps to recognize immediately the device interested:



Combined detector (smoke and temperature)



Smoke detector



Heat detector



Flame detector



Beam detector



Manual call point



Interface module



Monitoring module



Sounders



Wireless remote indicator



Mains fault



Authorized access





HEPHAIS 1600 COMFORT NE

Interactive fire detection control panel with TFT color graphic display

HEPHAIS 1600-400 COMFORT /S

MODULAR INTELLIGENT/INTERACTIVE FIRE CONTROL PANEL MAX 1600 POINTS, 10 LOOPS supplied as standard for 400 points on 2 master loops (max 200 addresses/loop) or 4 open circuits, expandable up to 4 x MG2B (loop boards), in small box with integrated USER INTERFACE FRONT PANEL (command and control) TFT COLOR GRAPHIC DISPLAY 4.3 inches, and keyboard, 1000 Zones, 2700 memory events, 2 monitored sounders lines + 3 programmable output relays, 1xRS232 serial output for printer and 1xRS485 serial output for remote control panel, 4 programmable inputs, RS422 JBUS monitoring output, networkable with MGNET board. TCP/IP connection for safe remote monitoring interface. Needs 2 internal batteries 12V/12Ah.

EN54-2, EN54-4, CE according to CPD

Specific software:

LOCK 1600-3

CUSTOMER SIGNATURE PROTECTION Hardware Key for HEPHAIS 1600 NE and HEPHAIS 1600. Permits with TELEHEPHAIS 1600 to upload/download the panel **with your own signed protection key, PACK of 3xKEYS, with or without time bomb**

TIME BOMB RENEW

RENEWAL of 1 year time bomb



REFERENCE

HEPHAIS 1600-400 COMFORT/S

LOCK 1600-3

TIME BOMB RENEW

AJ127

X4EVAC

DESCRIPTION

MODULAR INTELLIGENT/INTERACTIVE FIRE CONTROL PANEL small box with integrated USER INTERFACE FRONT PANEL (command and control) TFT COLOR GRAPHIC DISPLAY 4.3 inches, and keyboard, EN54-2, EN54-4, CE according to CPD

Customer Signature Protection Hardware Key for HEPHAIS 1600 NE and HEPHAIS 1600. Permits with TELEHEPHAIS 1600 to upload/download the panel with your own signed protection key, PACK of 3xKEYS, with or without time bomb

Renewal of 1 year time bomb

Serial cable for software programming tool

4 Monitored ways sounder circuit extension board





HEPHAIS 1600 COMFORT

Interactive fire detection control panel with TFT color graphic display

- **Maximum 1600 addresses on 16 loops**
- **Networkable up to 16 panels**
- **TFT color graphic display**
- **EN54-2, EN54-4, EN54-13**
- **CE Certified according to CPD**

HEPHAIS 1600 COMFORT is a **MODULAR INTELLIGENT/INTERACTIVE FIRE CONTROL PANEL** able to manage a maximum of 1600 addresses, on a maximum of 16 LOOPS.

The panel is supplied as standard for 400 points on 2 master loops (max 200 addresses/loops) or 4 open circuits and it is expandable up to 7 x MG2B (loop boards).

The reference is available in large box or small box.

It is equipped with integrated **USER INTERFACE FRONT PANEL** (command and control) **TFT COLOR GRAPHIC DISPLAY 4.3** inches and keyboard.

HEPHAIS 1600 COMFORT is able to monitor up to 1000 zones and saving 2700 memory events. The panel is equipped with RS422 JBUS monitoring output for supervision and is networkable with MGNET board.

On the front panel is available a **TCPIP connection** for safe remote monitoring interface.

Also available **USB port** on the front panel to get the memory events history file, amongst other features.

HEPHAIS 1600 COMFORT is **EN54-2, EN54-4 and EN54-13** certified and **CE** according to **CPD**

Adapted to a large scale of application, **HEPHAIS 1600 COMFORT** can answer to requirements of buildings like hotels, retiring houses, schools, but also small industries and manufactures, storage houses, office buildings, back office centres, thanks to its various and numerous outputs allowing many signalling and command orders.



Main characteristics

- 1600 addressable devices max. on 16 loops
- 1000 zones, 400 groups of command
- Base: 2 loops (200 addr./ loop) or 4 open circuits
- Jbus protocol for remote monitoring software
- **TFT COLOR GRAPHIC DISPLAY**
- **USB port** on front panel for memory events files
- **TCP/IP connection** for remote management
- Addressable sounders management
- **Downloading and Uploading** software
- Interactive management with pictures and colors for events
- Algorithm scheduled manager



HEPHAIS 1600 COMFORT

Interactive fire detection control panel with TFT color graphic display

Electrical specification	
Mains supply voltage	230Vac (-15%,+10%), 50Hz or 60Hz
Operating voltage	26,4V to 29 Vdc
Wiring	2 x (0,5 to 1,5) mm ² twisted shielded / Length = 2000m max
Batteries	2 x 12V/7-24Ah
Autonomy without mains	1 hours in alarm (command)
Autonomy for data storage out of voltage	> 7 days
Data storage	Non volatile memory (Eeprom)
Maximum current supplied	5 A
Mechanical characteristics	
Dimensions (mm) / weight (without batteries) Small box	600 x 325 x 175 (H x W x D) / 8Kg (without batteries)
Dimensions (mm) / weight (without batteries) Large box	530 x 525 x 230 (H x W x D) / 12Kg (without batteries)
Material/colour	Metallic and ABS 5V/RAL 7035
Climatic characteristics	
Operating temperature / Storage temperature	-10°C to 50°C
Operating relative humidity / Storage relative humidity	≤ 93% R.H./ ≤ 80% R.H.
Inputs/outputs	
Base: Max number of points / Max number of zones	400 points/1000 zones
Base: Fire detection lines	2 loops or 4 open lines
Fire alarm management	Alarm, pre alarm, alarm confirmation, hours management day/night mode
Memory events	Up to 2700 events with date and hours
Programmable outputs (fire alarm, fault, test zone, disabled point...)	3 x free contact relay outputs 50V/0,3A
Programmable inputs (power. supply fault, reset, sounders activation...)	2 x monitored inputs for external event management (fault, reset...)
Serial communication ports	RS232 communication port programming with PC RS422 communication port for Jbus protocol for graphic monitoring On front panel RS232 for external printer 2 x RS485 communication port for remote front panel (redundant communication)
Sounders line	2 x monitored outputs 30V/1A (for the 2 lines)
External power supply output	1 x 24V/0,5A
Internal options	
C20R, 20 way programmable relays board	NO/NC contacts potential free or resistive 50V/0,3A
R7P2, 7 way programmable relays board	NO/NC contacts potential free or resistive 50V/0,3A
R12P2, 12 way programmable relays board	NO/NC contacts potential free or resistive 50V/0,3A
External options	
ALPHA RE remote control and indicating panel	Serial connection (from 1 to 20 panels)





HEPHAIS 1600 COMFORT

Interactive fire detection control panel with TFT color graphic display

THE NEW TFT COLOR GRAPHIC DISPLAY:

The comfort for the user is improved by the use of a display which supplies a **perfect definition of texts** and presence of pictures and **colors** connected to information such as **red** for alarm and **yellow** for faults. A new **touch keypad** increases the speed of activation and visualization.



Alarm visualization



Fault visualization



Details of a point



Main screen

The presence of pictures connected to information helps to recognize immediately the device interested:



Combined detector (smoke and temperature)



Smoke detector



Heat detector



Flame detector



Beam detector



Manual call point



Interface module



Monitoring module



Sounders



Wireless remote indicator



Mains fault



Authorized access





HEPHAIS 1600 COMFORT

Interactive fire detection control panel with TFT color graphic display

HEPHAIS 1600-400 COMFORT /L

MODULAR INTELLIGENT/INTERACTIVE FIRE CONTROL PANEL MAX 1600 POINTS, 16 LOOPS - supplied as standard for 400 points on 2 master loops (max 200 addresses/loop) or 4 open circuits, expandable up to 7 x MG2B (loop boards), in large box with integrated USER INTERFACE FRONT PANEL (command and control) TFT COLOR GRAPHIC DISPLAY 4.3 inches, and keyboard, 1000 Zones, 2700 memory events, 2 monitored sounders lines + 3 programmable output relays, 1xRS232 serial output for printer and 1xRS485 serial output for remote control panel, 4 programmable inputs, RS422 JBUS monitoring output, networkable with MGNET board. TCP/IP connection for safe remote monitoring interface. Needs 2 internal batteries 12V/17Ah or 12V/24Ah. **EN54-2, EN54-4, CE according to CPD**



HEPHAIS 1600-400 COMFORT /S

MODULAR INTELLIGENT/INTERACTIVE FIRE CONTROL PANEL MAX 1600 POINTS, 10 LOOPS supplied as standard for 400 points on 2 master loops (max 200 addresses/loop) or 4 open circuits, expandable up to 4 x MG2B (loop boards), in small box with integrated USER INTERFACE FRONT PANEL (command and control) TFT COLOR GRAPHIC DISPLAY 4.3 inches, and keyboard, 1000 Zones, 2700 memory events, 2 monitored sounders lines + 3 programmable output relays, 1xRS232 serial output for printer and 1xRS485 serial output for remote control panel, 4 programmable inputs, RS422 JBUS monitoring output, networkable with MGNET board. TCP/IP connection for safe remote monitoring interface. Needs 2 internal batteries 12V/12Ah. **EN54-2, EN54-4, CE according to CPD**



Specific software:

LOCK 1600-3

CUSTOMER SIGNATURE PROTECTION Hardware Key for HEPHAIS 1600 NE and HEPHAIS 1600. Permits with TELEHEPHAIS 1600 to upload/download the panel **with your own signed protection key, PACK of 3xKEYS, with or without time bomb**

TIME BOMB RENEW

RENEWAL of 1 year time bomb

REFERENCE

HEPHAIS 1600-400 COMFORT/L

DESCRIPTION

MODULAR INTELLIGENT/INTERACTIVE FIRE CONTROL PANEL in large box with integrated USER INTERFACE FRONT PANEL (command and control) TFT COLOR GRAPHIC DISPLAY 4.3 inches, and keyboard, EN54-2, EN54-4, CE according to CPD.

HEPHAIS 1600-400 COMFORT/S

MODULAR INTELLIGENT/INTERACTIVE FIRE CONTROL PANEL small box with integrated USER INTERFACE FRONT PANEL (command and control) TFT COLOR GRAPHIC DISPLAY 4.3 inches, and keyboard, EN54-2, EN54-4, CE according to CPD

LOCK 1600-3

Customer Signature Protection Hardware Key for HEPHAIS 1600 NE and HEPHAIS 1600. Permits with TELEHEPHAIS 1600 to upload/download the panel with your own signed protection key, PACK of 3xKEYS, with or without time bomb

TIME BOMB RENEW

Renewal of 1 year time bomb

AJ127

Serial cable for software programming tool

X4EVAC

4 Monitored ways sounder circuit extension board

