

# Installation Base S4-700

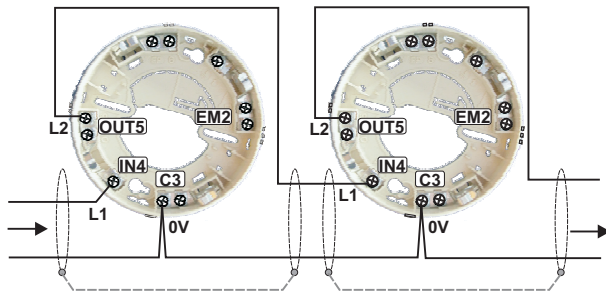


The base S4-700 is designed to accept the range of combined detection and alarm devices.

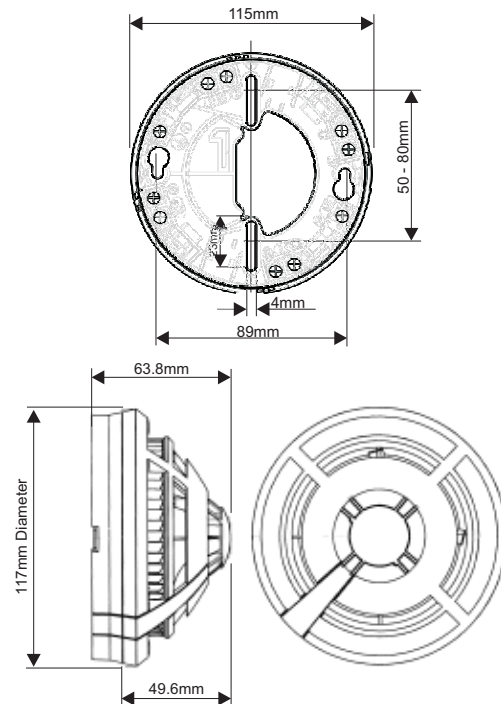
### Specification

Ambient temperature	-20°C to +54°C
Storage temperature	-25°C to +70°C
Ambient humidity	<95% relative (non condensing)
Terminals	0.6mm <sup>2</sup> to 2mm <sup>2</sup>
Housing	ABS-V0
Colour	White (RAL 9010)
Weight	60g approximately
Dimensions	Depth 24mm x 115mm diameter

### In - Out wiring to bases

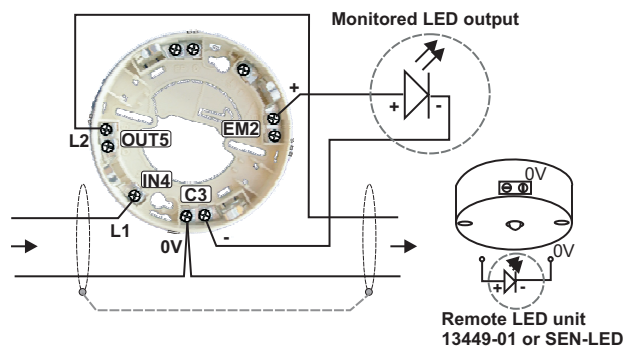


### Dimensions and mounting

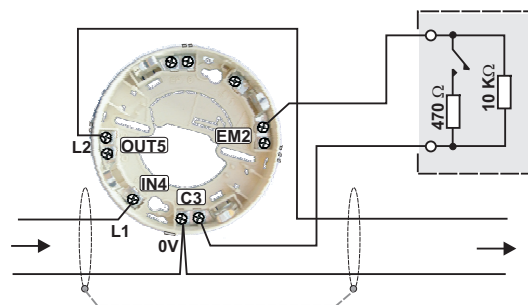


### Wiring a Remote LED

Only one remote LED unit 13449-01 or SEN-LED can be wired to a base.

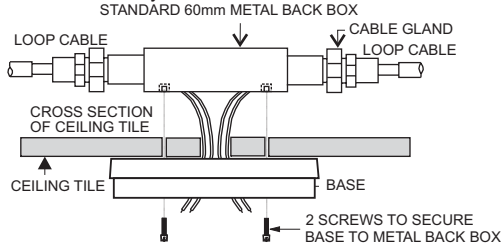


### Wiring a monitored input



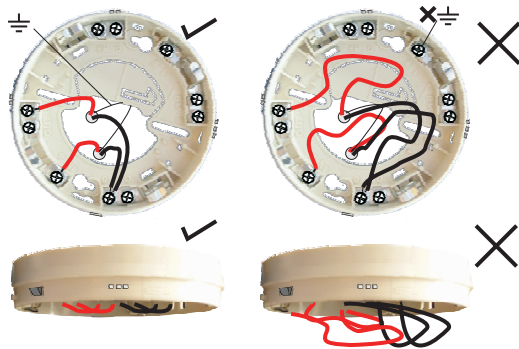
**Metal back box**

A metal back box must be used for base mounting. The earth continuity must be maintained throughout the whole loop. The earth must be securely connected to the metal back box.



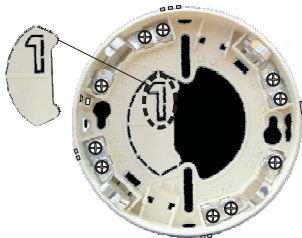
**Do's and Don'ts**

Earth wire should be terminated in the wiring junction box (e.g. BESA box) on which the base is mounted.

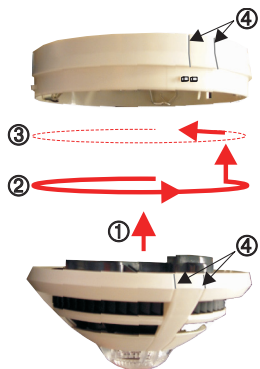


Wires should be of minimal excess length and be pushed back flat inside the base.

**Remove cutout to ease wiring**



**To fit Device to base**



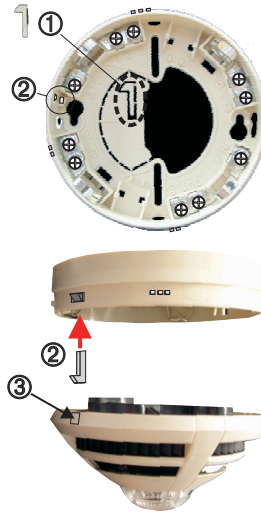
Offer device ① to base and rotate clockwise until it moves upwards on to the base ② and rotate again until it clicks and goes no further ③, the lines ④ on the base and device will align.

**To remove device from base**



Turn the device anticlockwise ① until it stops and ② remove from the base.

**Fitting the locking peg**



Remove the locking peg from cutout on the base ① and insert it in base ②. Pierce the pre-cut opening ③ in device.

**To remove locked device from base**



Push the locking peg in ① and turn device anticlockwise until it stops and then remove it from base ②.

**⚠ If a device is locked in, it can only be removed by access to the locking peg as instructed. The standard removal / extractor tool cannot be used to remotely remove a locked device from base.**

Honeywell Life Safety Systems (UK and Ireland) reserves the right to revise this publication from time to time and make changes to the content hereof without obligation to notify any person of such revisions of changes.

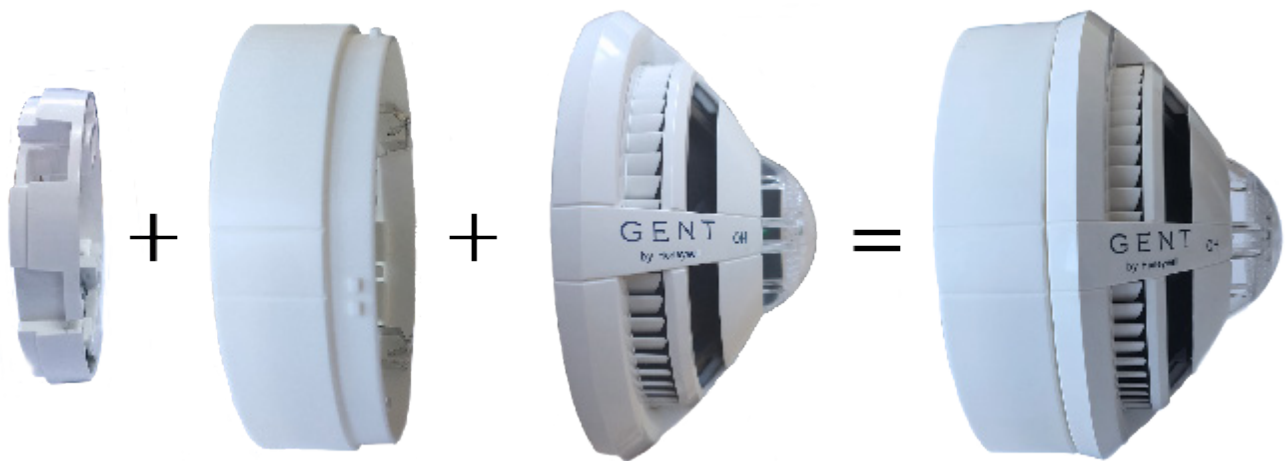
	Hamilton Industrial Park, Waterside Road, Leicester LE5 1TN, UK		Websites: <a href="http://www.gent.co.uk">www.gent.co.uk</a> <a href="http://www.smsfire.co.uk">www.smsfire.co.uk</a>
	Telephone Gent +44 (0) 116 246 2000 SMS +44 (0) 116 246 2100		Fax (UK): Gent +44 (0)116 246 2300 SMS +44 (0)116 246 2316

## 34000 S-Quad Adapter Base

The 34000 S-Quad adapter base provides a simple and cost effective solution for the replacement of ageing 34000 range sensors with current S-Quad Sensors.

The adapter base fits neatly onto an S-Quad sensor enabling it to be fitted directly onto an existing 34000 base without the need for removal of the old base and rewiring of a replacement base.

(The 34000 adapter fits both 3-way and 4-way bases supporting remote LED but is not compatible with 34000 devices fitted to a ceiling trim ring).



34000 Terminal Plate

34000 S-Quad Adapter Base

S-Quad Sensor Head

S-Quad Sensor Head and 34000  
Adapter Base Assembly

## KEY FEATURES

- Fast, cost effective solution for replacement of ageing sensors
- Simple locate/turn locking mechanism
- No need for additional S-Quad detector base
- Listed as a compatible device for use with the S-Quad range of automatic sensors

# 34000 S-Quad Adapter Base Technical Specifications

TECHNICAL SPECIFICATION	
Dimensions	Diameter 112mm, Height 35mm
Weight	82g
Colour	White (RAL 9010)
Material	ABS
Operating Temperature	-20°C to +54°C
Approvals	Listed as a compatible device with the S-Quad range (see below table of Compatible Devices)

DESCRIPTION	ORDER CODES
34000 S-Quad Adapter base	S4-700-34K
S-Quad Removal Tool Kit	805580

## COMPATIBLE DEVICES

HEAT SENSOR	
S4-720	S4 Heat Sensor
S4-780-S	S4 Heat Sensor Sounder
S4-720-V-VAD-HPW	S4 Heat Sensor Voice Sounder High Power White VAD
S4-720-V-VAD-HPR	S4 Heat Sensor Voice Sounder High Power red VAD
OPTICAL SENSOR	
S4-715	S4 Optical Detector
OPTICAL HEAT MULTISENSOR	
S4-710	S4 Optical Heat Sensor
S4-770-S	S4 Optical Heat Sensor Sounder
O2H - DUAL ANGLE OPTICAL HEAT MULTISENSOR	
S4-711	S4 Dual Optical Heat Sensor
S4-771-S	S4 Dual Optical Heat Sensor Sounder
S4-711-V	S4 Dual Optical Heat Sensor Voice Sounder
S4-711-VAD-HPW	S4 Dual Optical Heat Sensor High Power White VAD
S4-711-VAD-HPR	S4 Dual Optical Heat Sensor High Power red VAD
S4-711-V-VAD-LPW	S4 Dual Optical Heat Sensor Voice Sounder Standard Power White VAD
S4-711-V-VAD-LPR	S4 Dual Optical Heat Sensor Voice Sounder Standard Power red VAD
S4-711-V-VAD-HPW	S4 Dual Optical Heat Sensor Voice Sounder High Power White VAD
S4-711-V-VAD-HPR	S4 Dual Optical Heat Sensor Voice Sounder High Power red VAD
O2H - DUAL ANGLE OPTICAL HEAT AND CO MULTISENSOR	
S4-901	S4 CO Dual Optical Heat Sensor
S4-911-V-VAD-HPW	S4 CO Dual Optical Heat Sensor Voice Sounder High Power White VAD
S4-911-V-VAD-HPR	S4 CO Dual Optical Heat Sensor Voice Sounder High Power red VAD

## Honeywell Gent

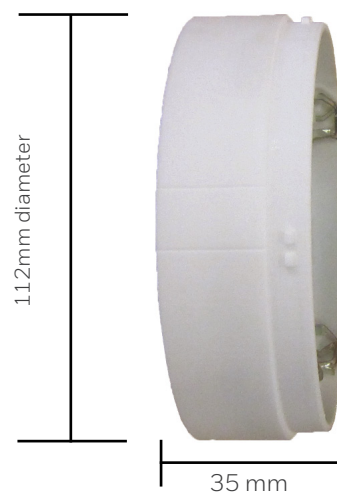
140 Waterside Road  
Hamilton Industrial Park,  
Leicester, LE5 1TN  
Telephone: 0203 409 1779  
E-mail: gentenquiry@honeywell.com  
www.gent.co.uk

Content subject to change  
without notice

S4-700-34K 04/2019  
© 2019 Honeywell International Inc.



Dimensions (mm)



**Honeywell**  
GENT